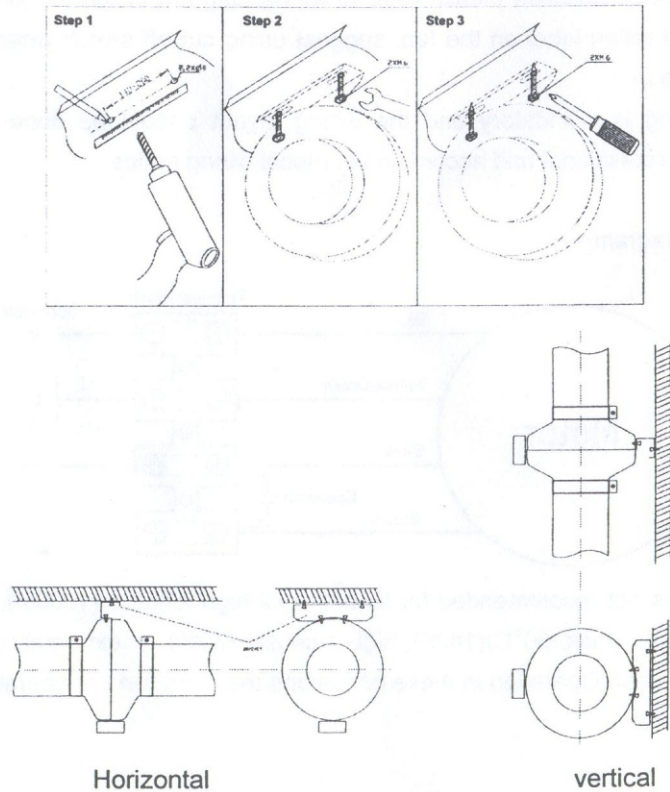


When running the fan ducting please avoid any right angles, U turns, or extreme bends near the fan, an optional in-line back-flow preventer may need to be installed in situations where gas fumes, exhaust fumes or air may post a back flow hazard.

Installation examples



3. maintenance & repairing

Annual maintenance is necessary to ensure proper functionality.

Please make sure the electrical power is off before removal.

Please use clean water, or neutral detergent to wipe down the surface of appliance, and blades, (do not use flammable or harsh detergents) to clean the fan. Make sure the fan is thoroughly dry before re- installing.



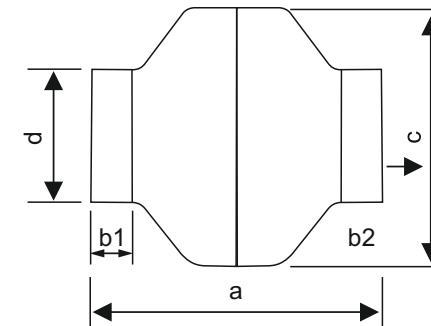
INSTRUCTION

IN-LINE AXIAL FAN VOK-C



Contents

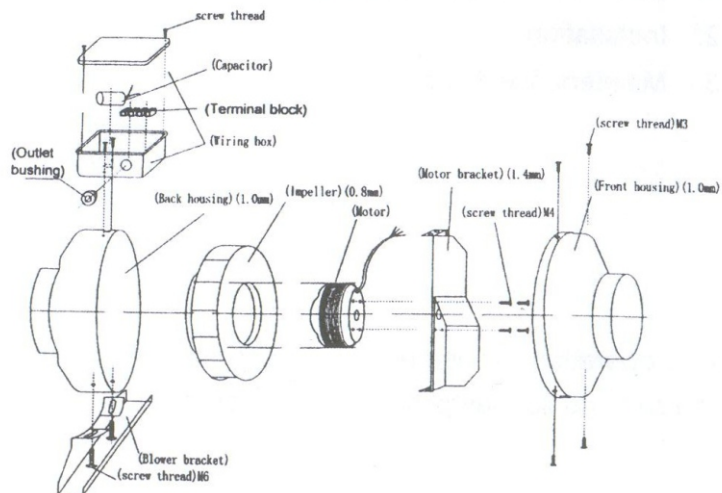
1. Dimension, Technical Data
2. Installation
3. Maintenance and repairing



AC220-240V~, 50Hz

TYPE	m ³ /h	rpm	W	Pa	A	dB	a	b1	b2	c	d
VOK-C-100	250	2500	50	324	65	60	198	23	23	243	100
VOK-C-125	405	2500	80	326	66	66	198	26	26	243	125
VOK-C-150	720	2500	130	379	72	70	224	26	26	333	150
VOK-C-200	1000	2500	170	583	70	70	219	25	25	333	200
VOK-C-250	1100	2500	180	625	70	70	204	25	25	333	250
VOK-C-315	1500	2500	210	750	75	75	232	25	25	403	315

Before installation & operation, please read this user manual completely and carefully. Failure to do so may pose a safety hazard.



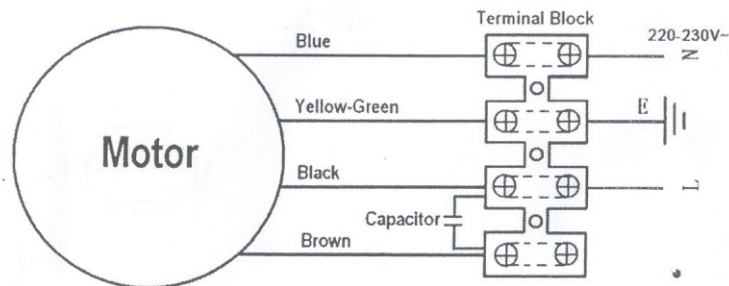
2. Installation

-This in-line duct fan is not intended for use by persons (including children) with reduced physical, sensory or mental capabilities, or lack of experience and knowledge, unless they have been given supervision or instruction concerning use of the appliance by a person responsible for their safety, children should be supervised to ensure that they do not play with the appliance, Only professionals with an electricians license should be allowed install or repair the unit.

For proper installation please refer to wiring diagram inside the junction box, and rating label on the fan. suggest using cut off switch where the fan plugs in.

Grounding is mandatory and the wiring layout should be done by a trained professional and according your local wiring codes.

Wiring diagram



The fan is not recommended for locations of high altitude (1000m), high temperature (max. 60°C)(140F), high humidity (70%), or extremely dusty environments. Operation in these conditions may shorten the operational life of the fan.

The mounting height should be no lower than 8' and the minimum distance between the fan and surrounding objects should be 4".

The fan should be fixed to the support with bracket enclosed or hose clamps. Make sure that the unit is securely supported using the proper size fasteners.

GUARANTEE

Your MMotors domestic fan comes with a free 24 months manufacturer's guarantee.

Guarantee Document:

Product.....

Type.....

Date of purchase.....

Purchaser.....

Sales person.....